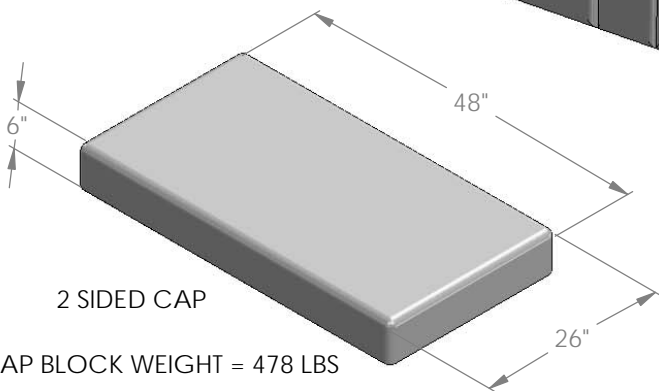
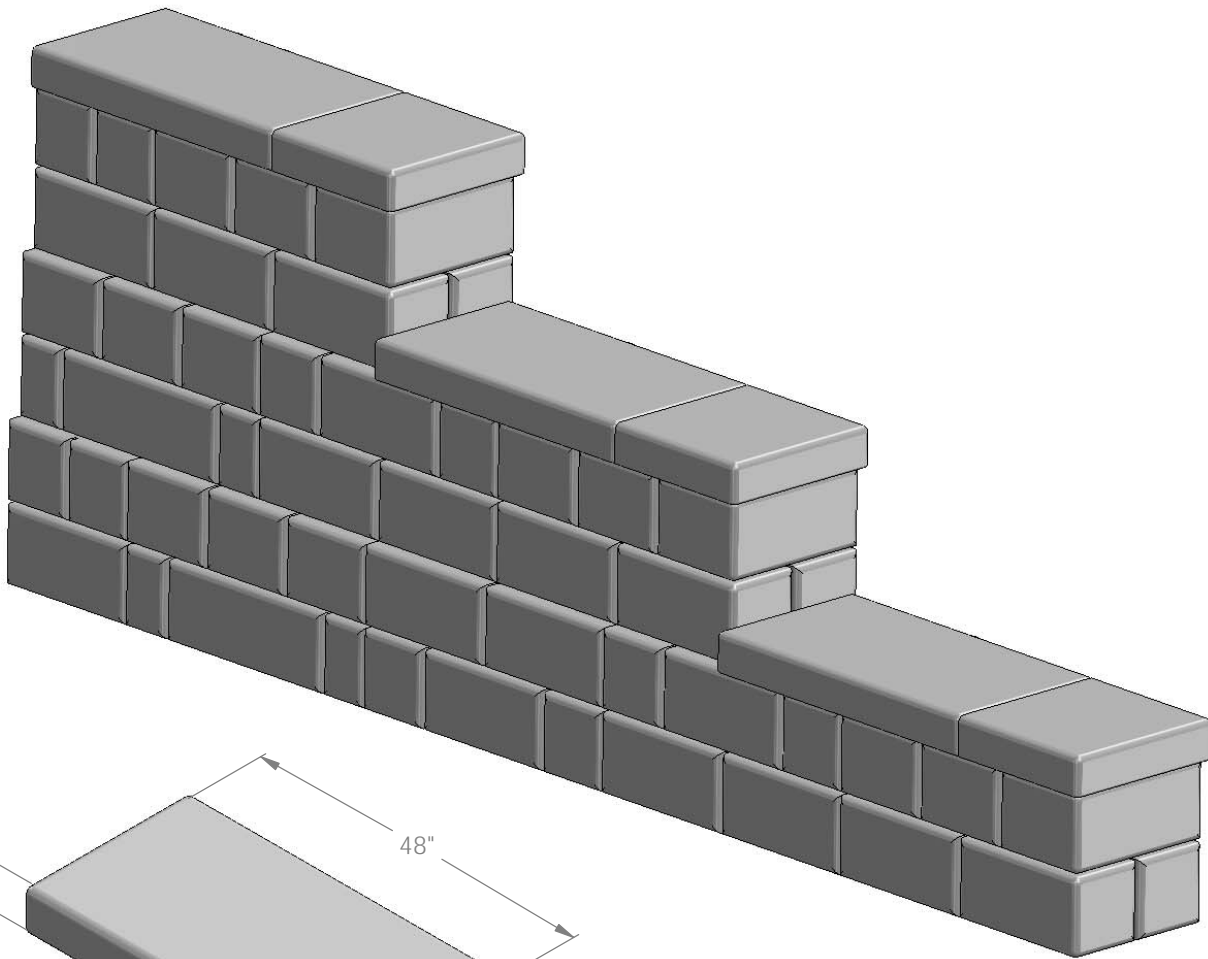


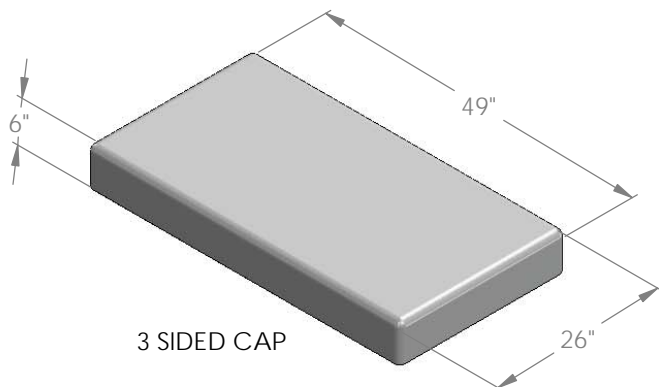
6 INCH CAP STEP-DOWN



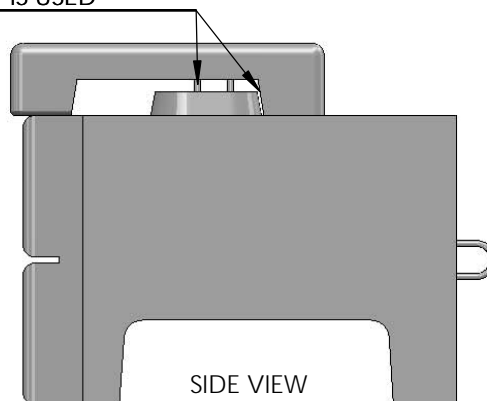
2 SIDED CAP

CAP BLOCK WEIGHT = 478 LBS

CONFLICTING AREA WILL REQUIRE THE USE OF
A 13" NUB BLOCKOUT OR SAW CUT AND REMOVAL
OF PICK POINT WHEN CAP IS USED



3 SIDED CAP



SIDE VIEW



DRAWN BY
DAN BALLING

DATE
12/18/2013

TITLE:
6" CAP BLOCK SCENARIO

16500 SOUTH 500 WEST
BLUFFDALE, UTAH 84065
PHONE: (801) 571-2028

DWG NO.

CB-01

SCALE: 1: 4

SHEET 1 OF 1