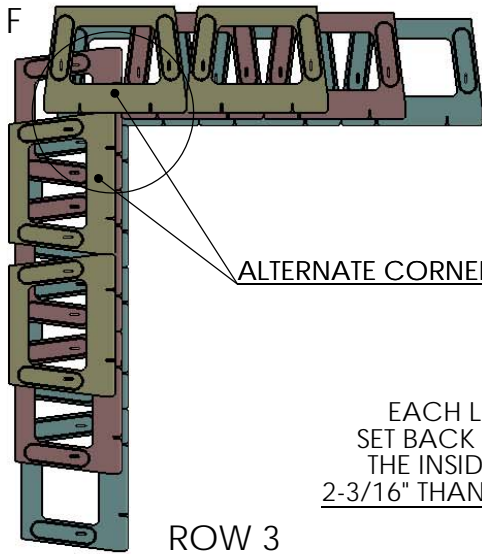
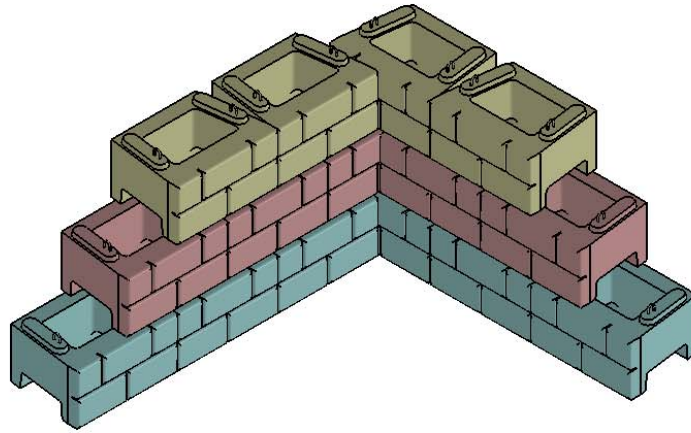
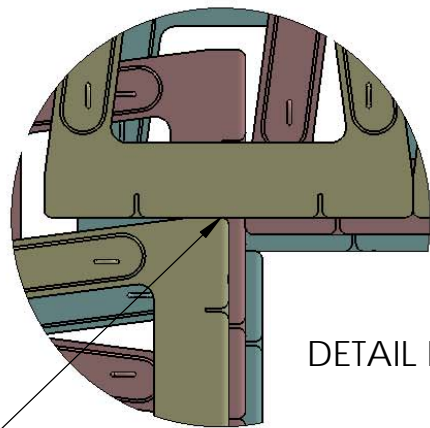


INTERLACED INSIDE CORNER DETAIL



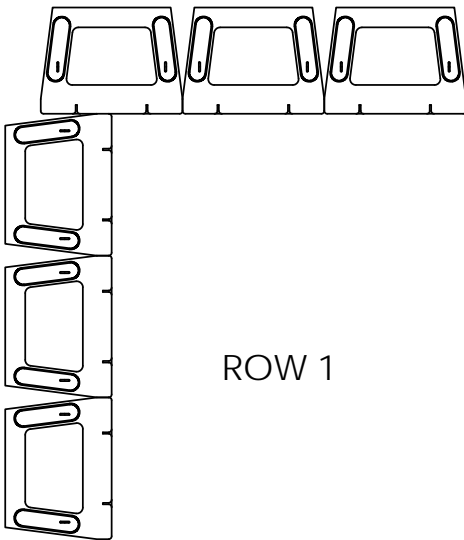
ALTERNATE CORNER OVERLAP

ROW 3

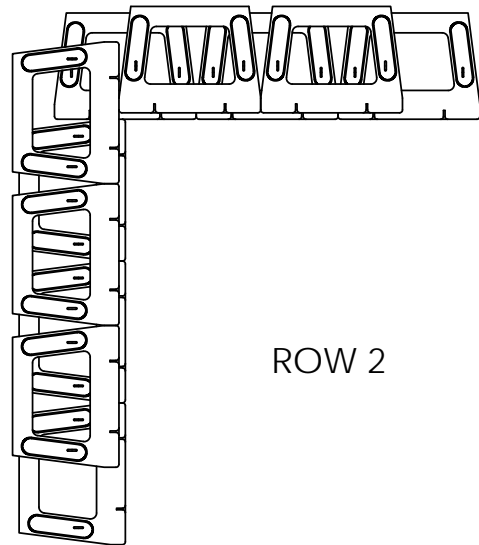


DETAIL F

EACH LEVEL WILL BE SET BACK AND TOWARD THE INSIDE CORNER BY 2-3/16" THAN THE ONE BELOW



ROW 1



ROW 2



DRAWN BY	DATE
DAN BALLING	12/12/2013

16500 SOUTH 500 WEST
BLUFFDALE, UTAH 84065
PHONE: (801) 571-2028

TITLE:
INTERLACED INSIDE CORNER

DWG NO.
WD-1

SCALE: 1: 60

SHEET 1 OF 1