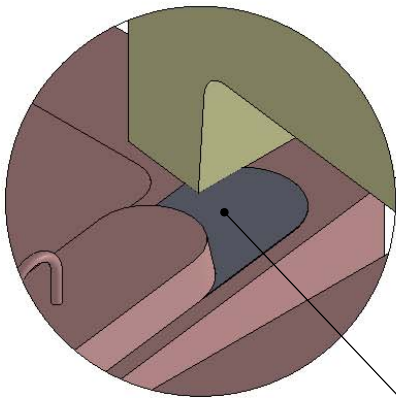
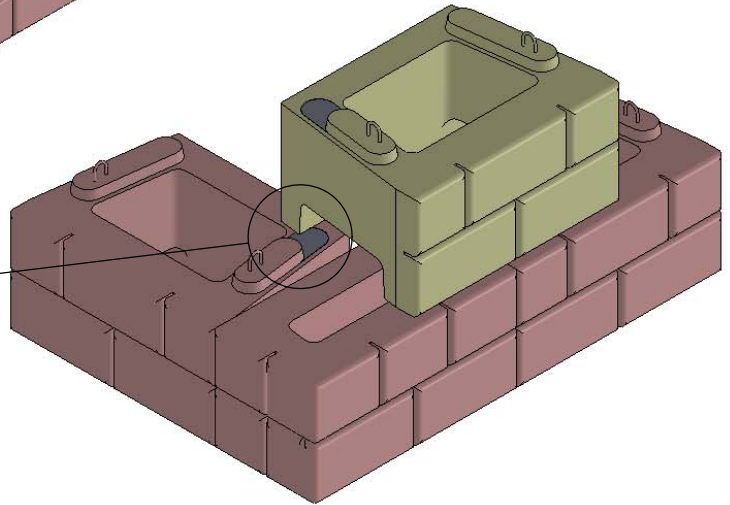
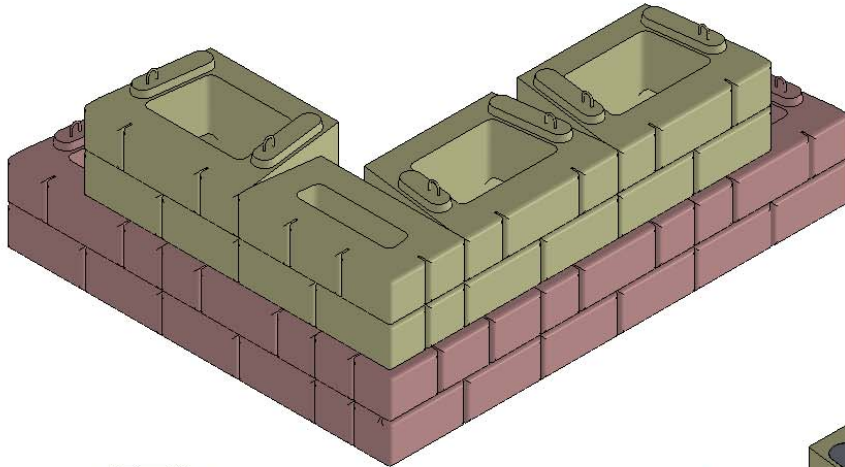
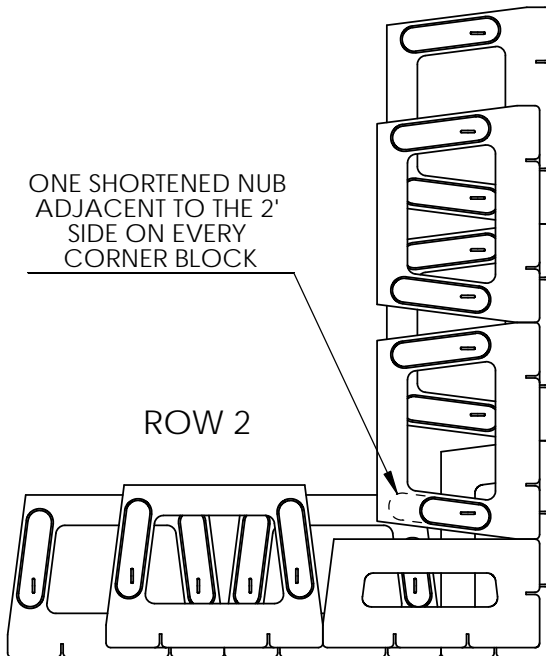


OUTSIDE CORNER DETAIL



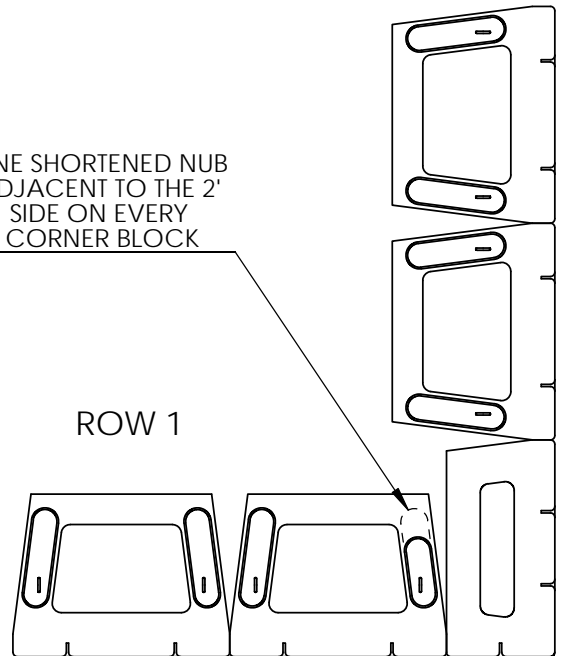
CONFLICTING POINT

ONE SHORTENED NUB
ADJACENT TO THE 2'
SIDE ON EVERY
CORNER BLOCK



ROW 2

ONE SHORTENED NUB
ADJACENT TO THE 2'
SIDE ON EVERY
CORNER BLOCK



ROW 1



DRAWN BY	DATE	TITLE:
DAN BALLING	12/12/2013	OUTSIDE CORNER
16500 SOUTH 500 WEST BLUFFDALE, UTAH 84065 PHONE: (801) 571-2028		DWG NO.
		WD-3

SCALE: 1: 40	SHEET 1 OF 1
--------------	--------------