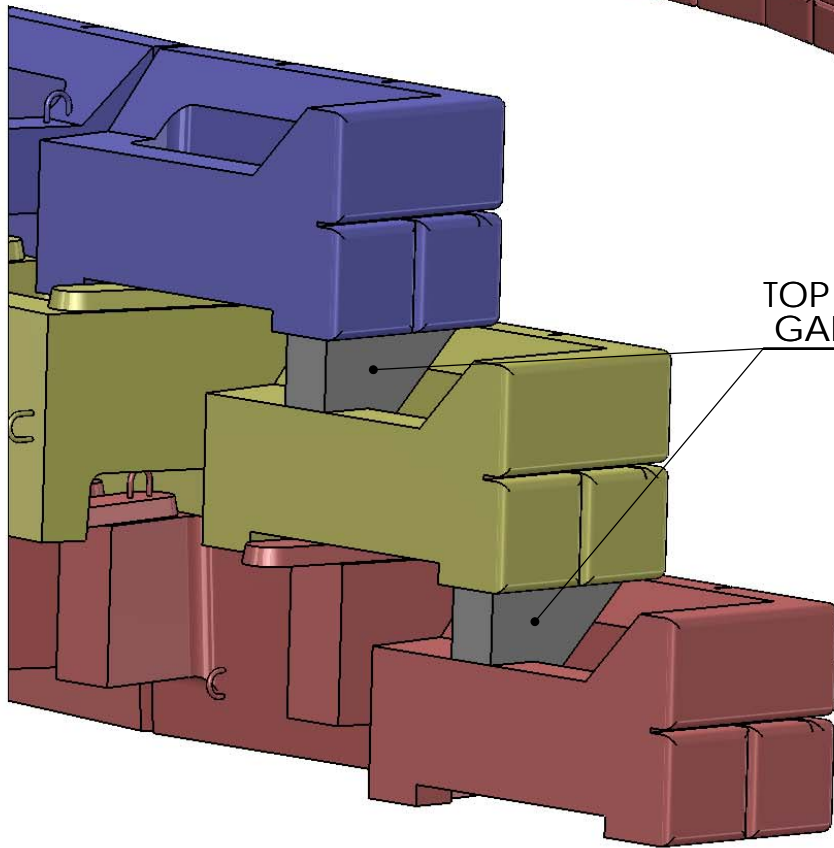
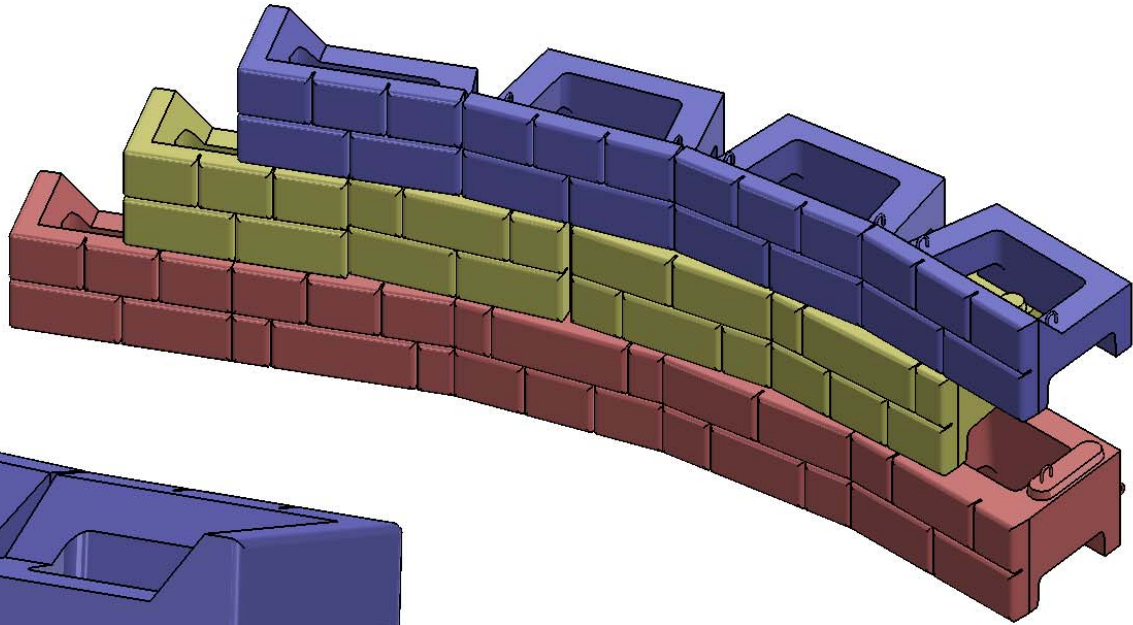
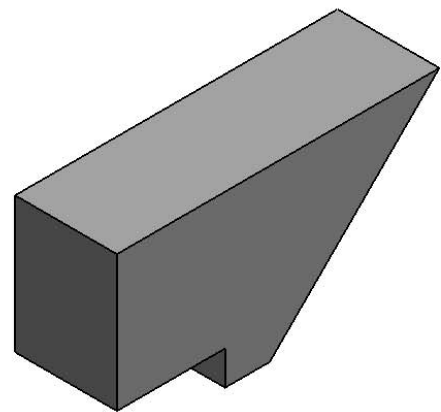


2' STEP DOWN WITH TOP CORNER GAP INSERTS



TOP CORNER
GAP INSERTS



TOP CORNER GAP INSERT



DRAWN BY
R FONTANESI

DATE
3/24/2016

TITLE:

2' STEP DOWN

DWG NO.

WD-08

16500 SOUTH 500 WEST
BLUFFDALE, UTAH 84065
PHONE: (801) 571-2028

SCALE: 1: 30

SHEET 1 OF 1