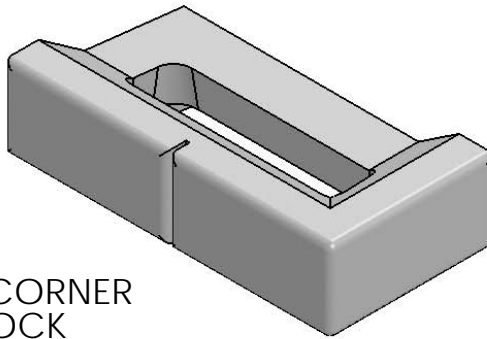
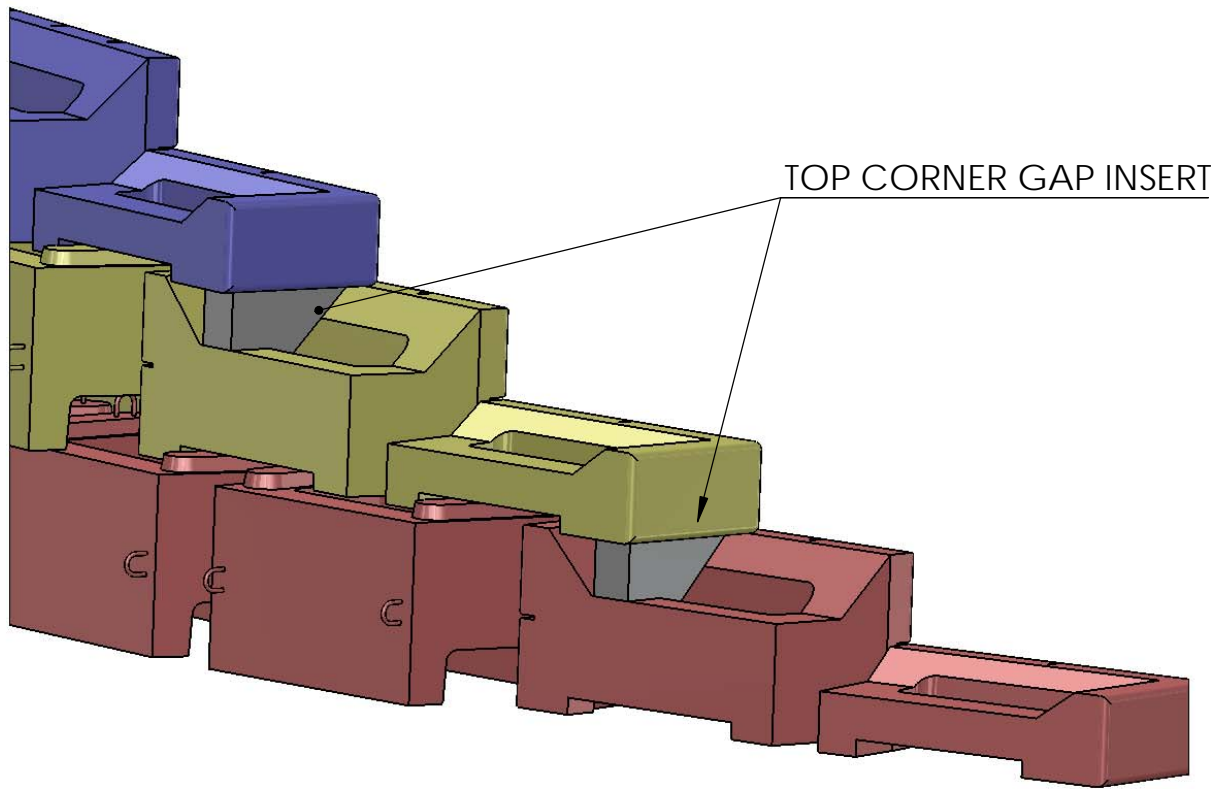
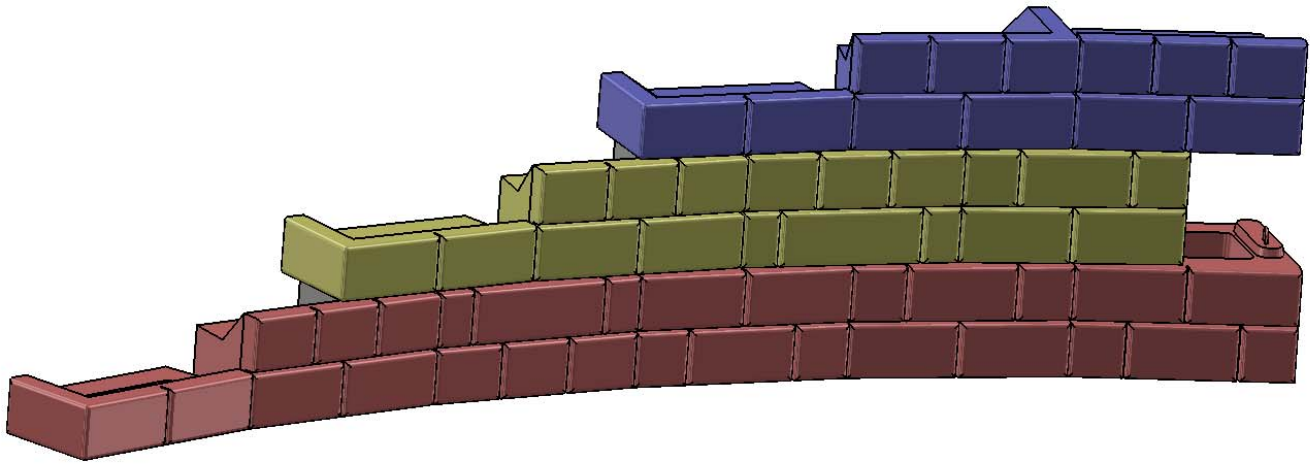
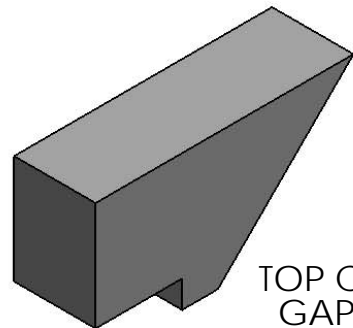


# 6' STEP DOWN WITH HALF-STEP BLOCK AND TOP CORNER GAP INSERT



HALF-STEP CORNER  
TOP BLOCK



TOP CORNER  
GAP INSERT



DRAWN BY  
R FONTANESI

DATE  
3/24/2016

16500 SOUTH 500 WEST  
BLUFFDALE, UTAH 84065  
PHONE: (801) 571-2028

TITLE:  
6' STEP W/ HALF STEP BLOCK

DWG NO.  
WD-10

SCALE: 1: 30

SHEET 1 OF 1