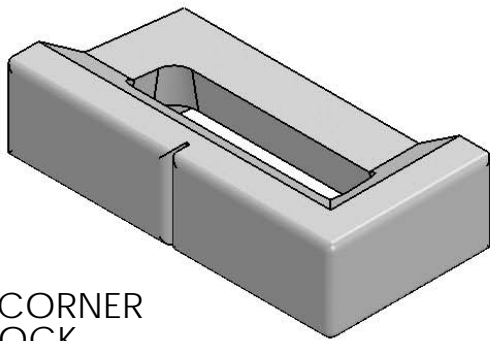
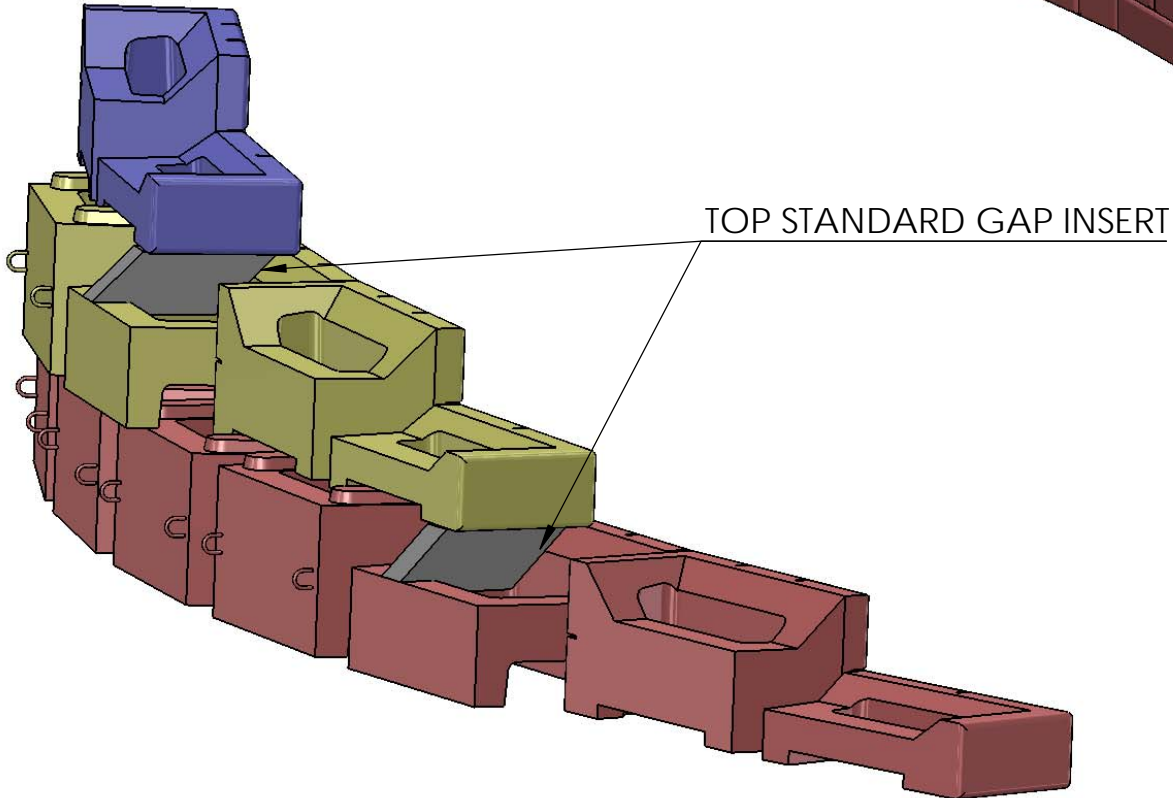
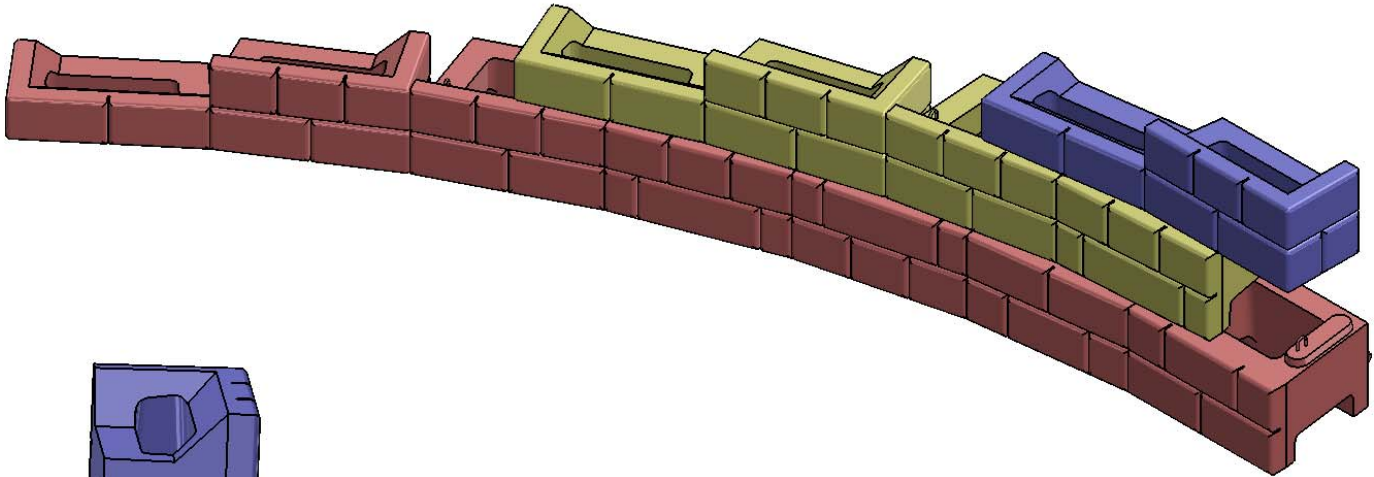
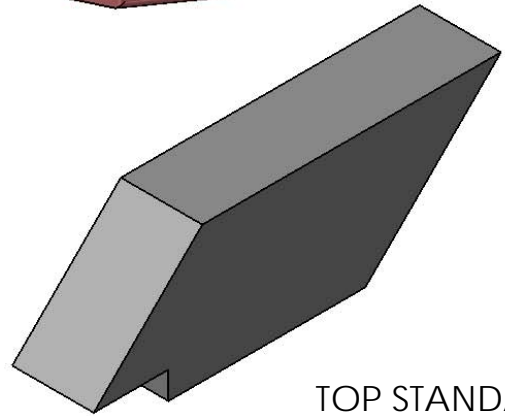


10' STEP DOWN WITH HALF-STEP BLOCK AND TOP STANDARD GAP INSERT



HALF-STEP CORNER
TOP BLOCK



TOP STANDARD
GAP INSERT



DRAWN BY	DATE
R FONTANESI	3/24/2016

TITLE:	10' STEP W/ HALF STEP BLOCK
--------	-----------------------------

DWG NO.	WD-11
---------	-------

SCALE: 1: 30

SHEET 1 OF 1

16500 SOUTH 500 WEST
BLUFFDALE, UTAH 84065
PHONE: (801) 571-2028