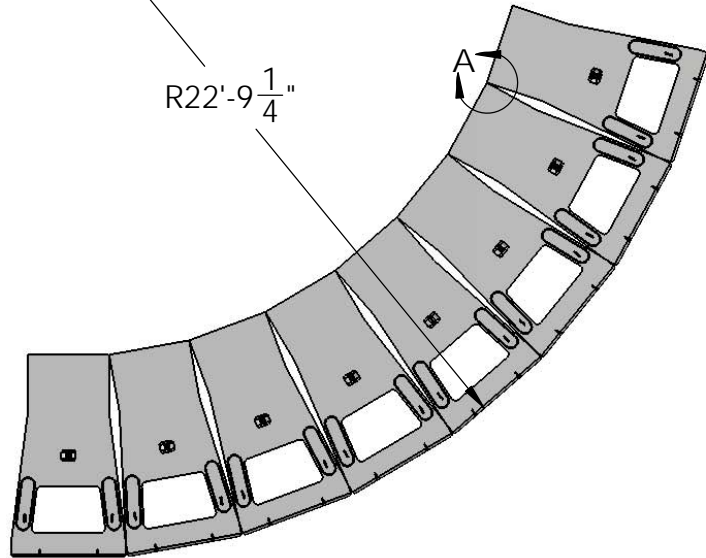


DETAIL A



R22'-9  $\frac{1}{4}$ "

A



DRAWN BY	DATE
R FONTANESI	4/14/2015

16500 SOUTH 500 WEST  
BLUFFDALE, UTAH 84065  
PHONE: (801) 571-2028

TITLE:
OUTSIDE CURVE W/ 84" ME

DWG NO.
WD-21

SCALE: NA

REVISION: 01

SHEET 1 OF 1