

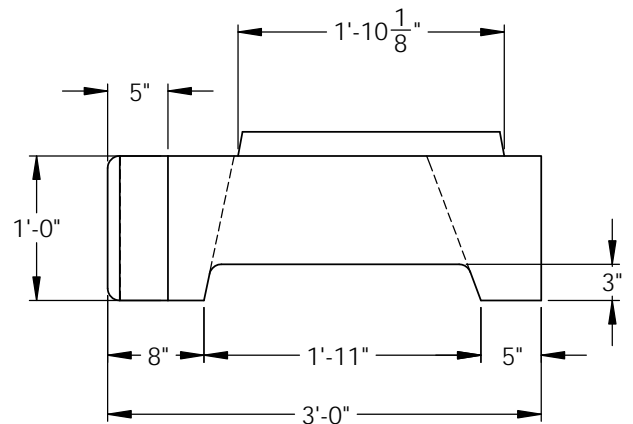
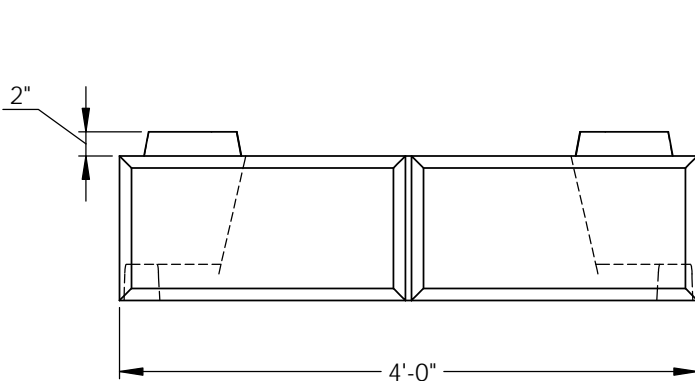
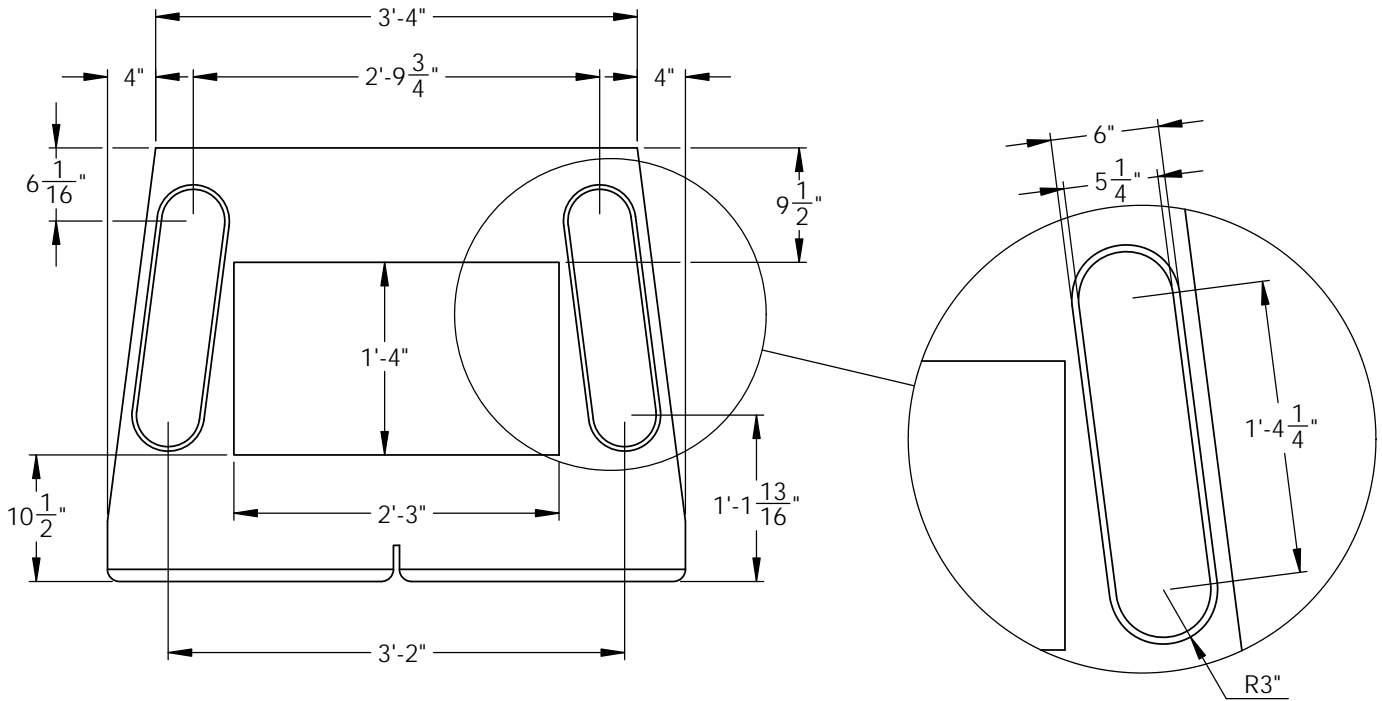
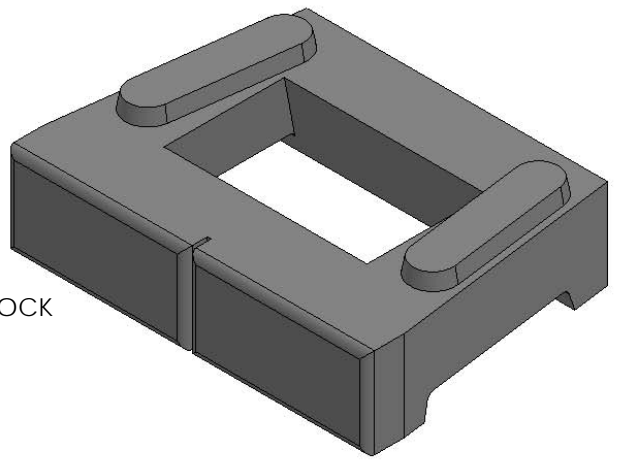
BLOCK DATA

DESIGN WEIGHT = 142 LB/FT³
 BLOCK VOLUME = 6.85 Cu.Ft.
 BLOCK WEIGHT = 973Lbs
 CENTER OF GRAVITY = 19.40" FROM BACK OF BLOCK

LOOSE GRAVEL INFILL DATA

DESIGN WEIGHT = 120 LB/FT³
 VOLUME = 4.53 Cu.Ft.
 WEIGHT = 543Lbs
 CENTER OF GRAVITY = 17.00" FROM BACK OF BLOCK

CENTER OF GRAVITY OF BLOCK+INFILL = 18.4" FROM BACK OF BLOCK



DRAWN BY	DATE
D BALLING	5/2/2013

16500 SOUTH 500 WEST
 BLUFFDALE, UTAH 84065
 PHONE: (801) 571-5041
 FAX: (801) 676-0115

TITLE: HALF STEP STANDARD BLOCK

DWG NO. BD-01

SCALE: 1: 4 SHEET 1 OF 1