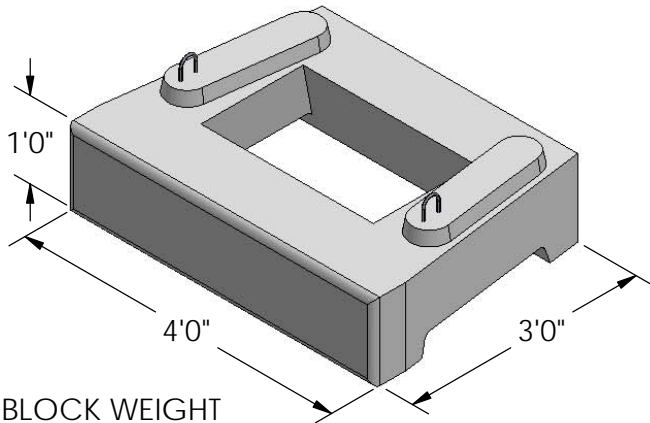


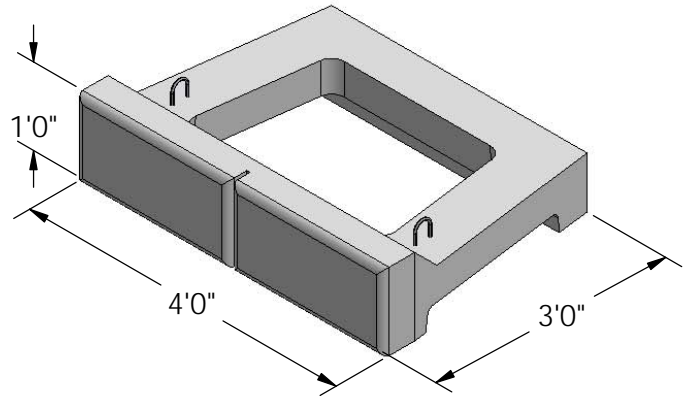
# HALF-STEP SERIES

STANDARD HALF-STEP BLOCK



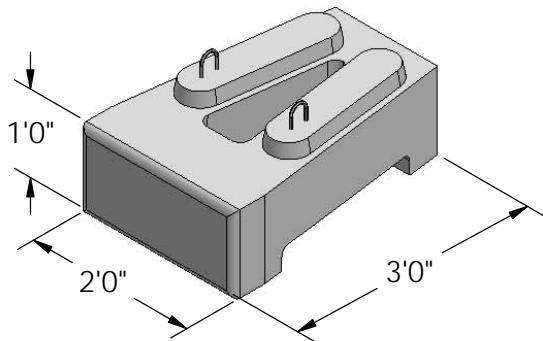
BLOCK WEIGHT  
972 LBS

HALF-STEP TOP BLOCK



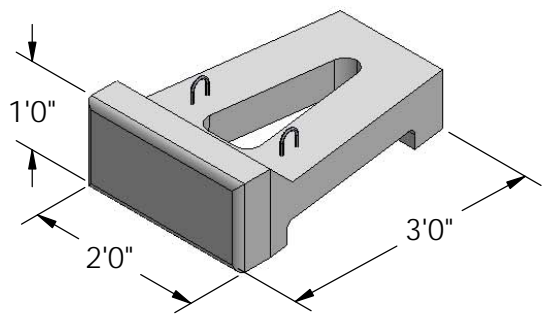
BLOCK WEIGHT  
642 LBS

HALF-STEP HALF BLOCK



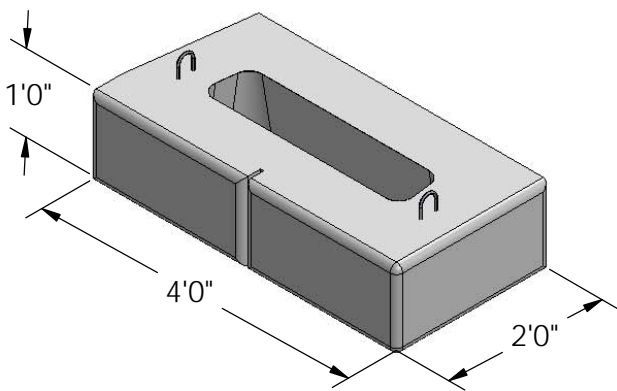
BLOCK WEIGHT  
574 LBS

HALF-STEP HALF TOP BLOCK



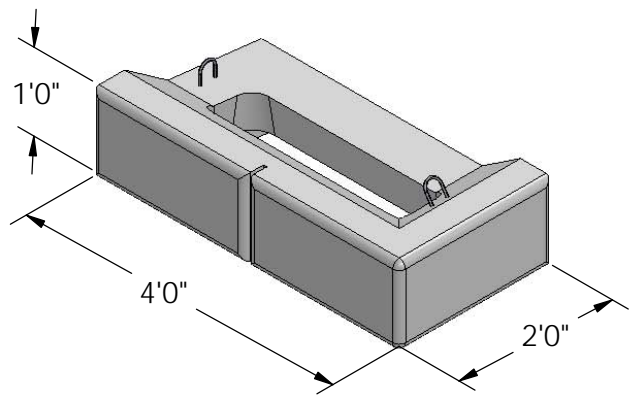
BLOCK WEIGHT  
273 LBS

HALF-STEP CORNER BLOCK



BLOCK WEIGHT  
824 LBS

CORNER TOP BLOCK



BLOCK WEIGHT  
689 LBS



DRAWN BY  
R FONTANESI

DATE  
6/16/2015

16500 SOUTH 500 WEST  
BLUFFDALE, UTAH 84065  
PHONE: (801) 571-2028

TITLE:  
HALF-STEP BLOCK SERIES

DWG NO.  
BD-14

SCALE: N/A

SHEET 1 OF 1