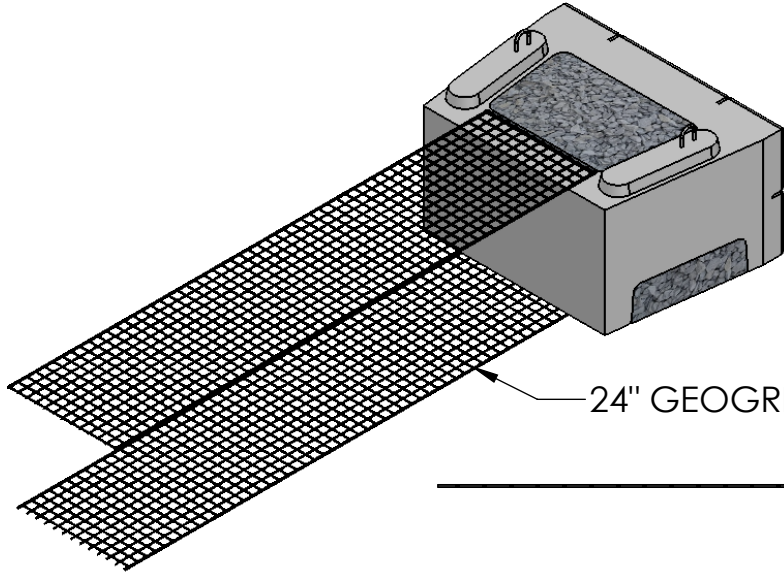
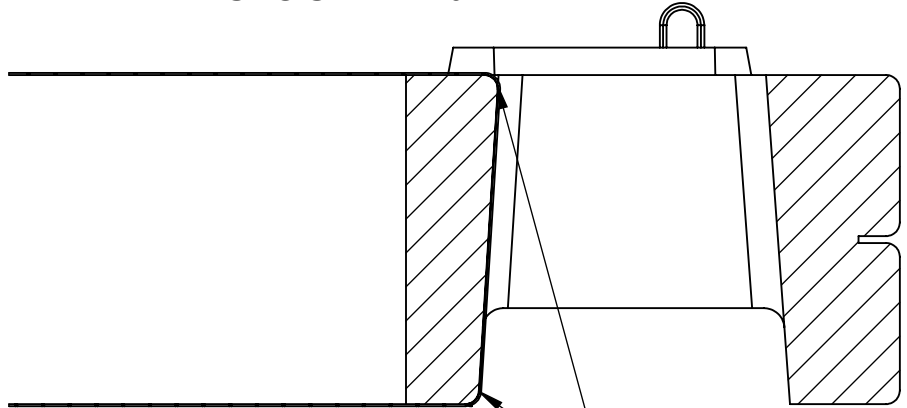


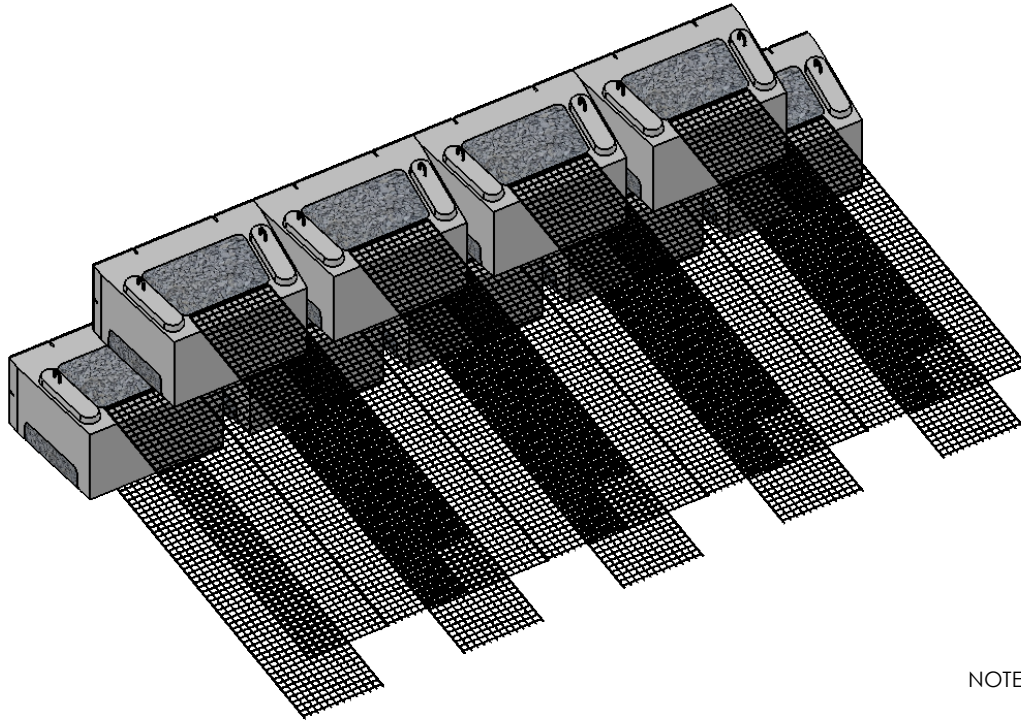
# GEOGRID POSITIVE CONNECTION DETAIL



24" GEOGRID MESH



1" RADIUS MIN.  
TOP & BOTTOM  
ALL SHARP EDGES  
MUST BE REMOVED



NOTE: DRAWINGS PROVIDED BY VERTI-CRETE  
ARE FOR REFERENCE ONLY. CONSULT  
LICENSED ENGINEER FOR FINAL DESIGN.



DRAWN BY	DATE
R FONTANESI	3/8/2016
16120 S. PONY EXPRESS RD BLUFFDALE, UTAH 84065 PHONE: (801) 571-2028	

TITLE:	POSITIVE CONNECTION
--------	---------------------

DWG NO.	WD-35
---------	-------

SCALE: NA

REVISION: 02 (4/19/2019)

SHEET 1 OF 1