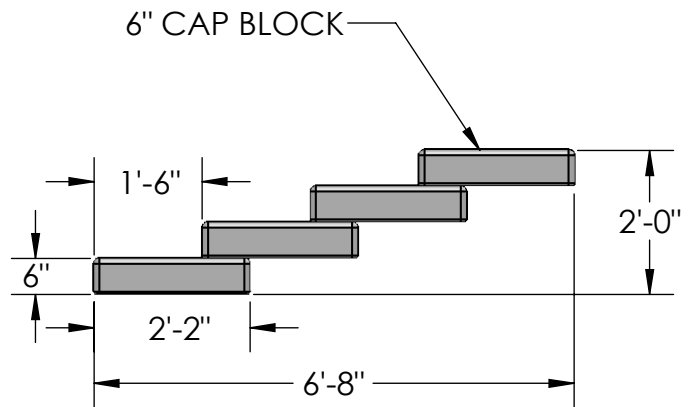
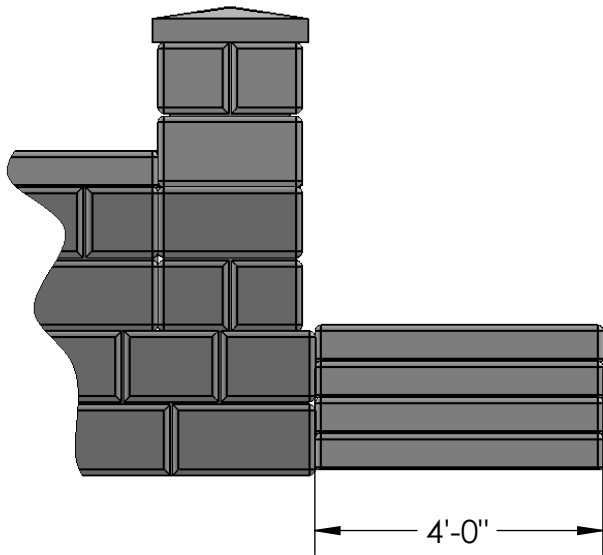
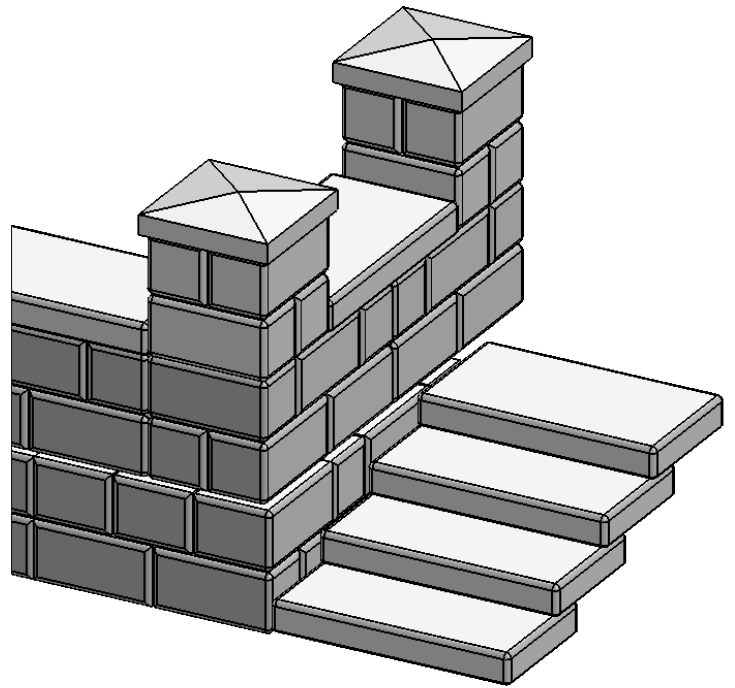
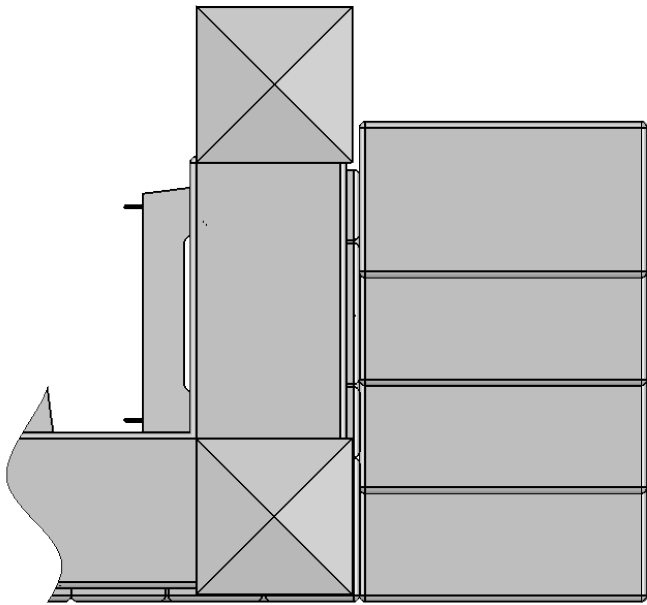


6" CAP BLOCK STAIRS OPTION



NOTE: THE LAYOUT SHOWN HERE DEPICTS ONE POSSIBLE METHOD OF USING THE VERTI-BLOCK 6" CAP UNIT TO CREATE STAIRS.



DRAWN BY
R FONTANESI

DATE
2/2/2017

16120 S. PONY EXPRESS RD
BLUFFDALE, UTAH 84065
PHONE: (801) 571-2028

TITLE:

CAP BLOCK STAIRS

DWG NO.

WD-44

SCALE: NA

REVISION: 02 (4/25/2019)

SHEET 1 OF 1